

Table of contents

1. INTRODUCTION	2
1.1. PURPOSE	2
1.2. TECHNICAL SPECIFICATIONS	3
1.3. DESIGN OF THE DEVICE	4
1.4. MAIN MODULES.....	5
1.5. SAFETY DEVICES.....	13
2. INSTALLATION	20
2.1. UNPACKING	20
2.2. ADJUSTMENTS	20
2.3. WITHDRAWAL FROM USE AND STORAGE.....	20
3. FUNCTIONAL DESCRIPTION	21
3.1. HANDLING IN ROLL ON – ROLL OFF	21
3.2. HANDLING IN TIPPING.....	23
3.3. OPERATION IN DRIVING.....	24
3.4. CHANGING OPERATING FUNCTION	25
3.5. ELECTRICAL SYSTEM	27
3.6. HYDRAULICAL SYSTEM.....	29
4. SAFETY INSTRUCTIONS	30
4.1. GENERAL.....	30
4.2. WORKING AT EXTREME CONDITIONS.....	32
4.3. ACTING IN DANGEROUS SITUATION	33
5. MAINTENANCE / SPARE PARTS	34
5.1. MAINTENANCE SCHEDULE	34
5.2. MAINTENANCE OPERATIONS	35
5.3. SPARE PARTS.....	41
6. TROUBLESHOOTING.....	51

CONTACT INFORMATION:

Factory:

AS FORS MW
Tule 30
765 05 Saue
Estonia

Tel: + 372 679 00 00

Fax: + 372 679 00 01

E – mail: info@forsmw.ee

Aftermarket:

Language spoken is English and Swedish.

FMW Farma Norden AB
Hornsväg 2
605 97 Norrköping
Sweden

Tel: + 46 (0) 165 770

Fax: + 46 (0) 128 370

E – mail: aftermarket@forsmw.ee

1. INTRODUCTION

1.1. PURPOSE

Bigab hook lift trailer exists in 9 different types of modules with a variety of additional extras which all has it's own purpose but with the same unique flexibility. The flexibility lays in its ability to handle different kinds of loads on one and the same chassed. This allows the Bigab to be used at a wide range of different user applications.

Bigab 7 – 10 is perfect for lighter transportation with needs to access to smaller places such as gardens, parks etc. If you need a trailer with higher loading capacity the Bigab 8 – 12 is the trailer to use. Bigab 10 – 14 is the one best suited for users with more heavy – duty requirements.

For your safety, it is extremely important that you follow the instructions presented in this instruction manual for your particular BIGAB model.

The unique flexible system gives operators the most cost effective and flexible transport system available. Behind the Bigab trailers lays more then forty year of knowledge and 25 years of product development.

We understand that you are anxious to get to work the trailer, but stop for a bit and take time to carefully read through this instruction book. The Bigab trailer is unique which also if not used properly could turn out to be dangerous. A few moments reading through the instruction book might save you time and money in the future.

We congratulate you at your choice of trailer and wish you and your Bigab all the best for the future!

FORNS MW
Manufacturers

EG – Försäkran om överensstämmelse med direktiv 2006/42/EG
 EU-declaration of Conformity 2006/42/EG

Tillverkare:
 Manufacturer:

Fors MW AS
 Tule 20
 70805 Saar
 Estland

Den tekniska dokumentationen är sammanställt av Loff Fors.
 The technical file is compiled by Loff Fors.

Försäkran lämnad att denna utrustning
 Hereby confirm that this equipment:

1. Fordonstyp/Vehicle type: XXXX
2. Tillverkare/Manufacturer: XXXX
3. Seriensnummer/Chassis number: XXXX
4. Tillverkningskod/Manufacture code: XXXX
5. Tillverkningsår/Manufacture year: XXXX

Är tillverkad i överensstämmelse med direktiv 2006/42/EG och kan användas som en del i utrustning som utrustning för att utrusta en komplett maskin.
 Is manufactured according to demands in directive 2006/42 EG and therefore can be used mounted together with other equipment to provide a machine.

Utrustningen får ej tas i bruk förrän den maskinen eller utrustningen som den skall ingå i överensstämmer med kraven i EG's maskindirektiv.
 The equipment can't be used before the machine or the formation that it will take place in, is accordingly to the demands of the EG machine directive.

Signature: _____ Datum/Date: _____
 Signature: Loff Forns, CEO Date/Date: 25.11.2009

Tule 20 Tel: +372 676 00 00 E-mail: info@forsmw.com
 70805 Saar Fax: +372 676 00 01 Web: www.forsmw.com
 Estonia Reg. no. 10094721 VAT no. EE 3003 09007

EU declaration of conformity with Directive 2006/42 EC



1.2. TECHNICAL SPECIFICATIONS

Table 1.

Hooklift trailer	7-10	8-12	10-14
Frame: Hollow sections	160*80	200*100	200*100
Bogie: Pendulum/ADR	Axel distance 990 mm	Axel distance 1130 mm	Axel distance 1130 mm
Hubs:	70 * 70, 6 bolts	90*90, 6 bolts	90*90, 8 bolts
Wheels:	400/60-15,5	400/60-15,5	500/50R/17
Brake: Hydraulic drum	300*90 on 4 wheels	300*90 on 4 wheels	300*90 on 4 wheels
Towing eyelet:	Type for hitch hook	Type for hitch hook	Type for hitch hook
Support leg: Manual	yes	yes	yes
Light system: 12 volt	yes	yes	yes
Tractor hydraulic:	1 double, 1 single action	1 double, 1 single action	1 double, 1 single action
Oil volume: With system filled	6 l	8 l	8 l
Oil volume cylinders:	Press 24 l, draw 18 l	Press 32 l, draw 24 l	Press 32 l, draw 24 l
Oil flow:	40 – 80 l/min	40 – 80 l/min	40 – 80 l/min
Hydraulic pressure:	17 Mpa	17 Mpa	22 Mpa
Tipp angle:	48 degrees	48 degrees	48 degrees
Chassis weight: Standard equipped	2000 kg	2200 kg	2300 kg
Chassis length:	5300 mm	5700 mm	5700 mm
Distance eyelet to centered bogie:	4200 mm	4560 mm	4560 mm
Distance eyelet to ground surface:	450 mm	450 mm	450 mm
Height at skid surface:	830 mm excluding the hook frame	900 mm excluding the hook frame	950 mm excluding the hook frame
Wide over tires:	2100 mm	2100 mm	2300 mm
Container length:	4150 - 4600 mm	4150-4600 mm	4150-4600 mm
Container wide:	2200 - 2500 mm	2300-2550 mm	2300-2550 mm
Total weight:	10000 kg	12300 kg	14300 kg
Max load including container:	8000 kg	10000 kg	12000 kg
Max hooking load including container:	7000 kg	8000 kg	10000 kg
Max tipping capacity:	9500 kg	10000 kg	13000 kg
Pressure on eyelet: depending of length of container	1200 – 1700 kg	1500 – 2000 kg	1600 – 2300 kg
Max speed:	40km/h	40km/h	40km/h

1.3. DESIGN OF THE DEVICE

The Trailer is constructed out of cold hollow steel sections. Through this construction the trailer receives maximum endurance and stiffness regarding both bending as well as twisting. The trailer is steady both in the tip as well as in the changing movement. The trailer is equipped with a strong pendulum bogie that has been equipped with brakes on all wheels. * 7 – 10 to Sweden is equipped with brakes on two wheels.



(The pictures show 10-14)

Figure 1. Design of the device



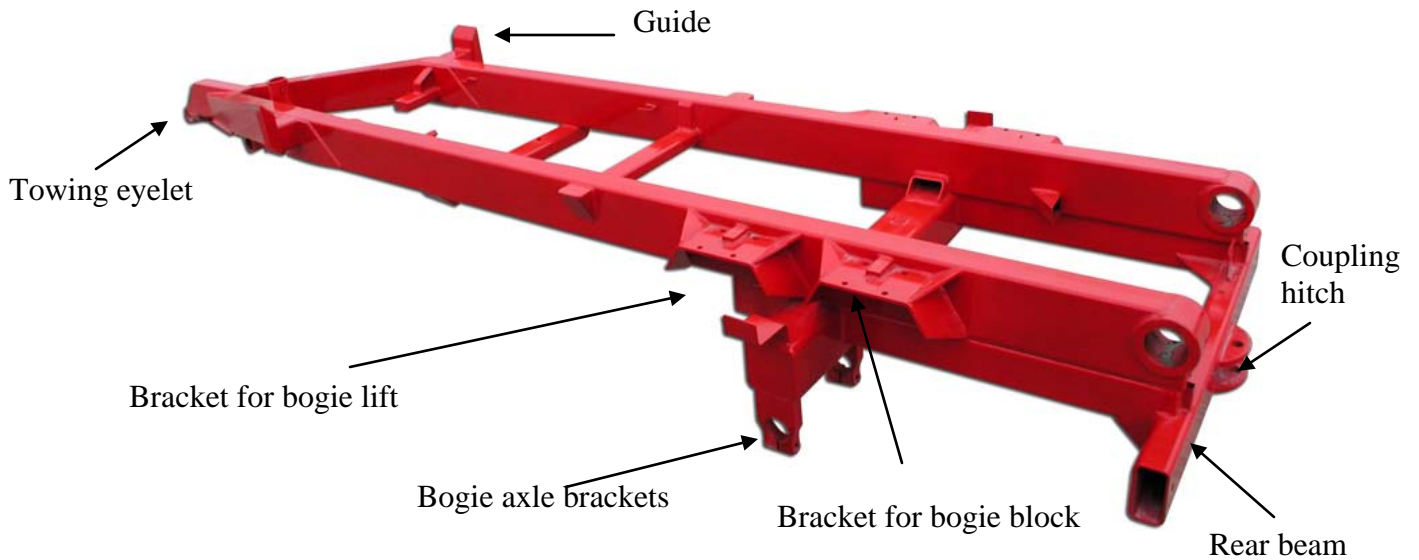
1.4. MAIN MODULES

The trailer consists of the following subassemblies and functional devices.

1.4.1. Chassis

Chassis is constructed out of cold hollow steel sections.

- 8-12, 10-14



- 7-10

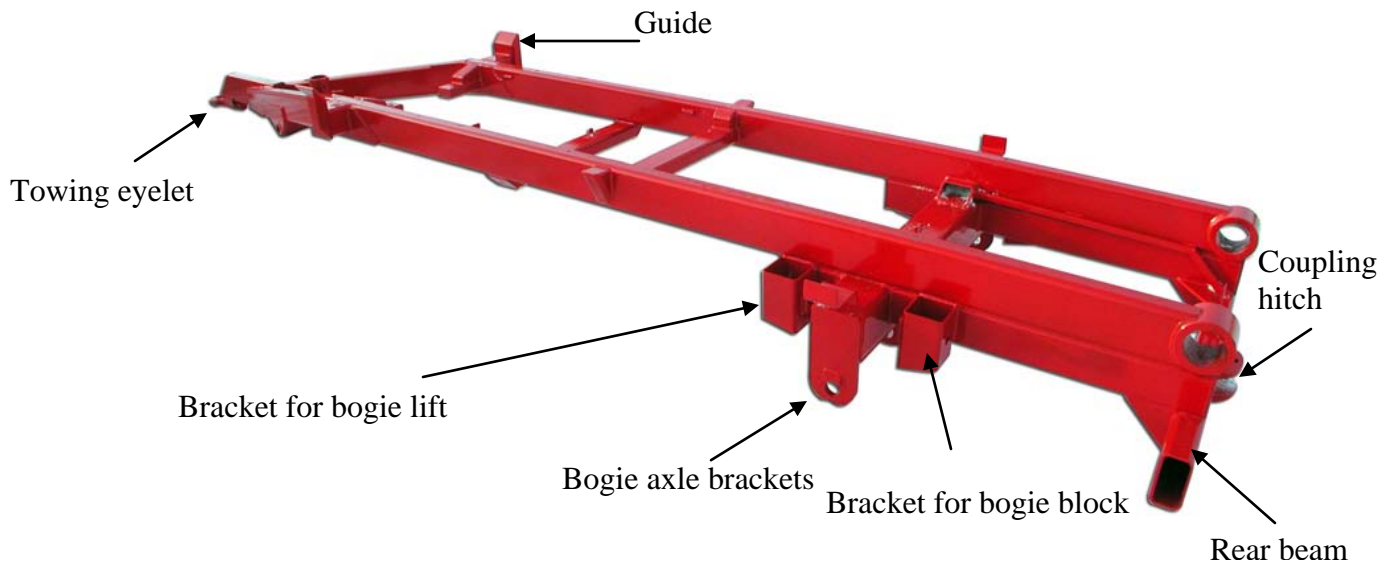


Figure 2. Chassis



1.4.2. Back frame

Back frame is constructed out of cold hollow steel sections



Figure 3. Back frame

1.4.3. Hook frame

The hooking frame is constructed from cold hollow steel sections

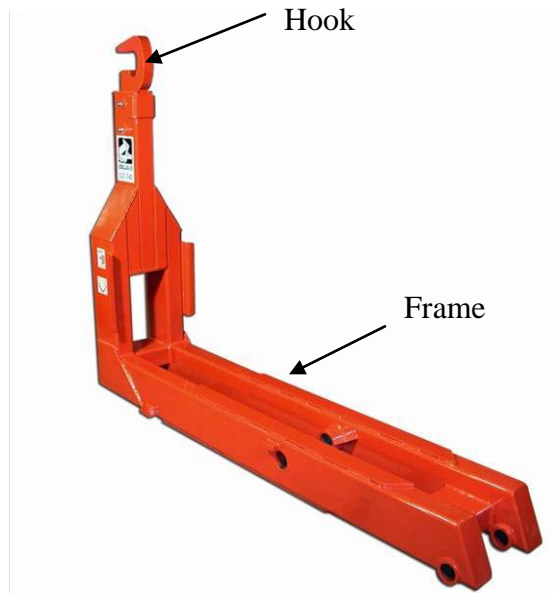


Figure 4. Hooking frame



1.4.4. Bogie

The trailer is equipped with a strong pendulum bogie that has been equipped with brakes on all wheels.

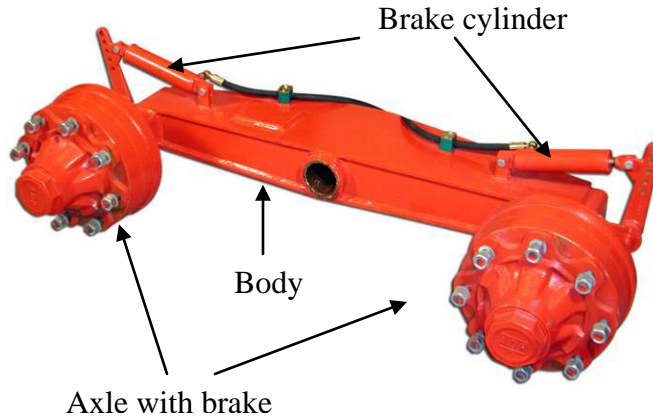


Figure 5. Bogie

(The pictures show 10-14)

1.4.5. Hook

The Trailer is equipped with adjustable hook for two different standard heights.

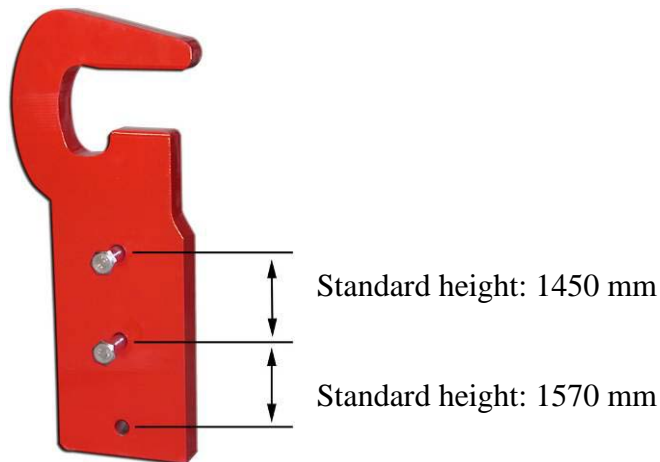


Figure 6. Hook

1.4.6. Support leg

Support leg is designed to be of supporting use when the trailer is under maintenance or when trailer is not in use. Before driving the support leg must be lifted up and fixed with the pin.

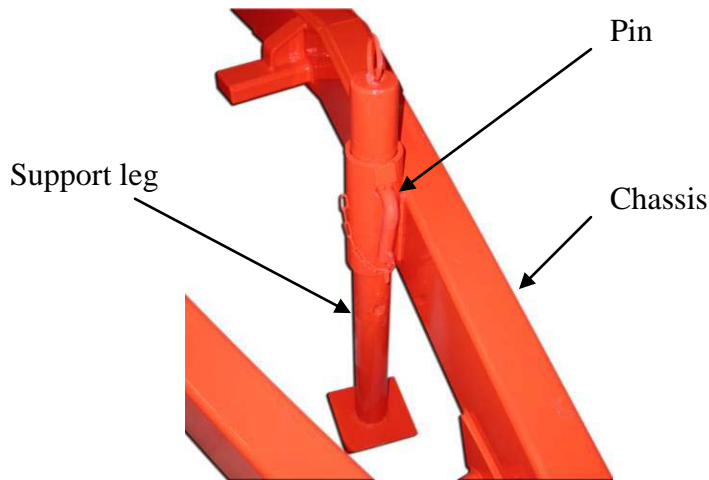
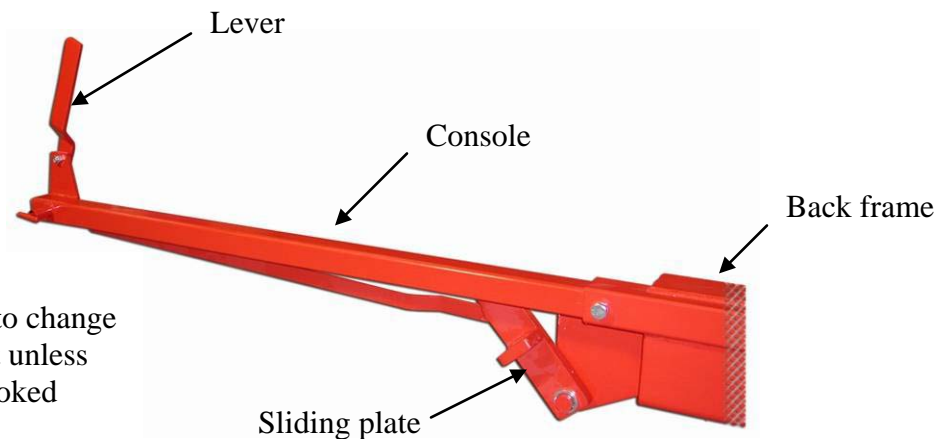


Figure 7. Support leg

1.4.7. Changing operation unit

This unit is designed for manual changing operation from rolling on - rolling off to tipping. Lever is located on the left side of the chassis. This function is also available with hydraulic drive as additional equipment.



Note!

It is not allowed to change the changing unit unless the frame is in locked position.

Figure 8. Changing operation unit

1.4.8. Towing eyelet

The eyelet is used to hitch the trailer to the pulling vehicle. It is **extremely** important that the towing eyelet is checked for defaults every time the trailer is used. The towing eyelet needs to be replaced at least once a year. It is the users responsibility to see to that this is done.

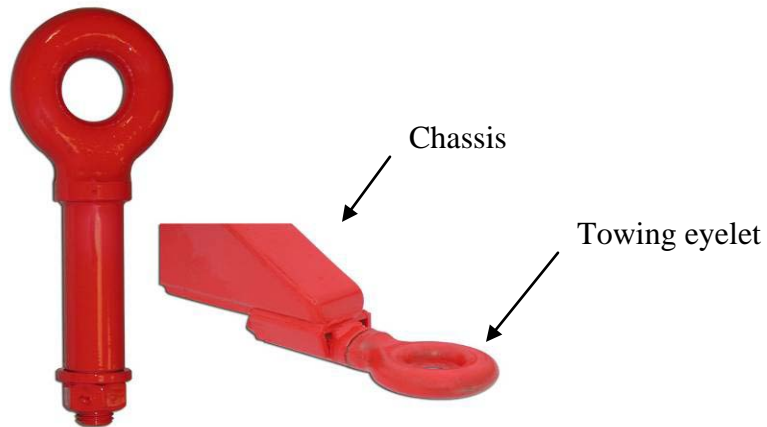


Figure 9. Towing eyelet

1.4.9. Coupling hitch

The coupling hitch is used for coupling other trailed devices to the trailer. Coupling hitch is also used for coupling reflector.



Figure 10. Reflector

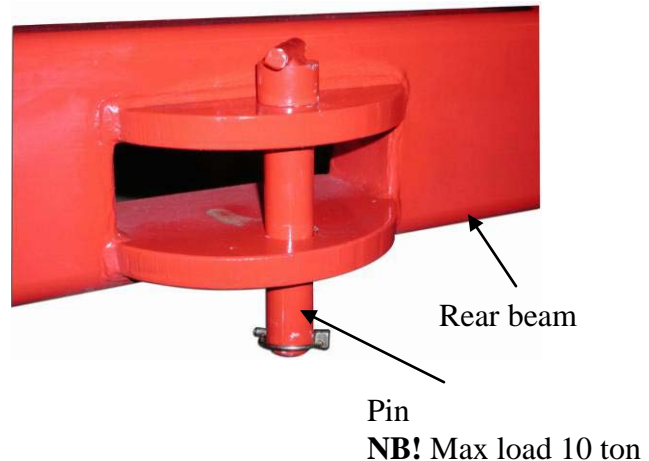


Figure 11. Coupling hitch

1.4.10. Steering rollers

The steering rollers are designed to guide the container. During handling roll on – roll off the container frame must be inside the rollers.



Figure 12. Steering rollers

1.4.11. Bogie block

The bogie block is used for bogie blocking during the handling of roll on – roll off. Hydraulic bogie block / lift are available as additional equipment.

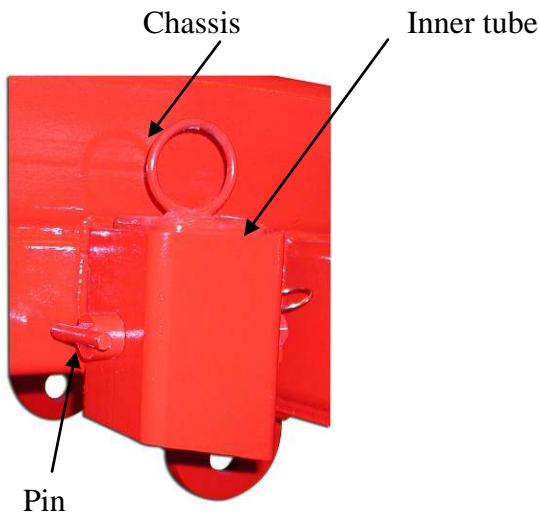


Figure 13. Bogie block 7 - 10

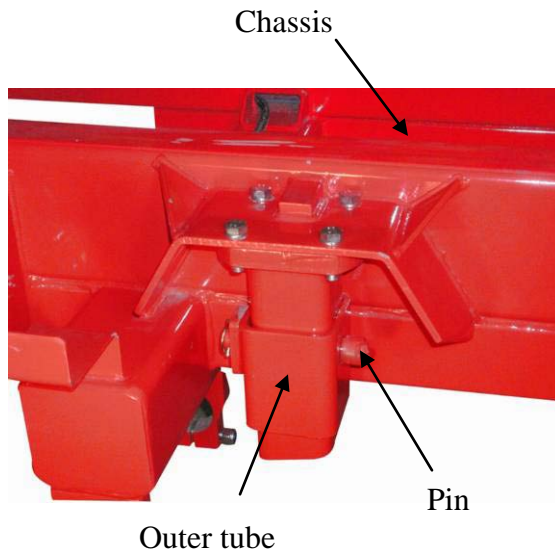


Figure 14. Bogie block 8 -12, 10 - 14

1.4.12. Frame lock



The hydraulic frame lock is used to lock the frame during the exchange function.

The manometer is present to indicate the tensile force on the cylinder. The manometer is set at 100 bar on delivery, but can subsequently be adjusted either up or down according to the size of the tractor.

1.4.13. Wheels

Wheels for different trailer types

Table 2.

Trailer type	Standard wheel type	Alternative wheel type	Air pressure (bar)	Speed (km/h)
7-10	400/60-15,5 *	400/60-15,5 Traction 6B/-15	3,6*	40
8-12	400/60-15,5 *	400/60-15,5 Traction 6B/-15	3,6*	40
10-14	500/50-17*		4,6*	40
		505/50R-17	4	40
		445/45R-19.5	7,5	40

* The air pressure might be different between different wheel manufacturers. For exact air pressure we recommend taking contact with the wheel manufacturer.

1.4.14. Hydraulic system

The trailer is equipped with a hydraulic system for working movements. See chapter 3.5

1.4.15. Electrical system

The trailer is manufactured with 12V electrical system. See chapter 3.4

1.4.16. Brake system

The trailer is equipped with hydraulic brake system. Also available is pneumatic brake system as an additional extra. The hydraulic pressure in the brake line is not allowed to raise over 16 Mpa. If using too high of a hydraulic pressure the tappet of the brake arm might go from centum and lock the brakes.

1.5. SAFETY DEVICES

1.5.1. Security post

Always use the safety support when carrying out service work in the tipped position. The safety support may not be used under any circumstances when the container bridge is loaded.

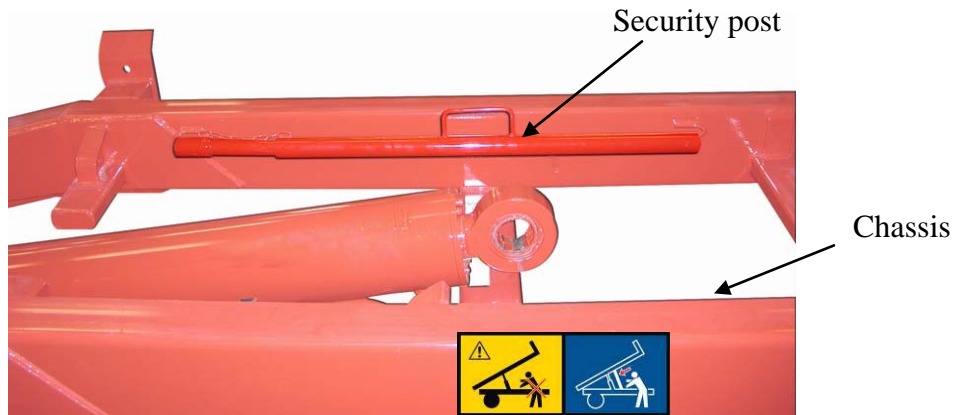


Figure 15. Security post

1.5.2. Location of the decals on the trailer

The trailer is equipped with a range of signs relating both to safety and information. Check that all the signs are in the correct positions.

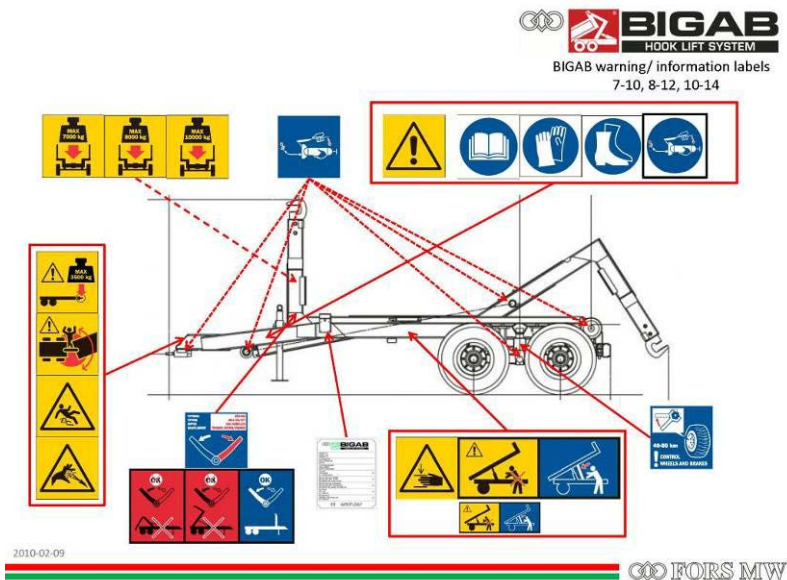


Figure 16. Location of the decals on the trailer

1.5.3. Presentation of decals



Figure 17. Warning triangle and instruction manual decal.

The trailer is supplied with a warning triangle alongside the instruction manual decal in order to reinforce the requirement for the user to read the entire instruction manual carefully before starting to use the trailer. Ignoring this can entail a danger to life.



Figure 18. Decal for the use of safety equipment.

These decals challenge the user to employ appropriate safety equipment in order to avoid injury when using the trailer.



Figure 19. Risk of clamping injuries

There is a risk of clamping or crushing injuries during work and maintenance.



Figure 20. Hazardous area

Standing between the trailer and the towing vehicle when the trailer is being operated, moved with frame steering or when other functions are activated between trailer and tractor, can be potentially fatal. As the driver, you must always ensure that the area around the machine is free of people.



Figure 21. Risk of slipping

There is a risk of slipping as the surfaces of the trailer can be slippery due to precipitation in combination with pre-existing oil and/or clay on the surface. The ground around the trailer can also become slippery, as the tyres can tear up the surface and expose clay and soil.



Figure 22. Hydraulic fluid under pressure

Hot hydraulic fluid at high pressure levels can occur in the hydraulic system. Take care when connecting, and replace poor quality hoses.



Figure 23. Using the exchange unit

The exchange unit may not be operated unless the frame is folded down. During transport with the trailer, the hook must be folded down in the parking position.



Figure 24. Use the safety support during all service



Leaning under the raised frame is absolutely prohibited unless it is blocked with the safety support. Under no circumstances may the trailer be carrying either a load or a container when using the safety support.



Figure 25. Max. load



It is absolutely prohibited to load more than the amount your model is intended to handle. This can result in danger to you and your surroundings.



Figure 26. Max. pressure on towing eyelet



Ensure that you do not load in such a way that the pressure on the towing eyelet exceeds the permitted laws and regulations. The trailer is designed for a maximum pressure of 3,500 kg on the towing eyelet. The pressure is largely determined by the way the load is distributed on the container bridge, and it is the user's responsibility to ensure that this is not exceeded.



Figure 27. Tyre inspection

The tyres must be tightened and the brakes checked regularly at a minimum interval of 40–50 kilometres.

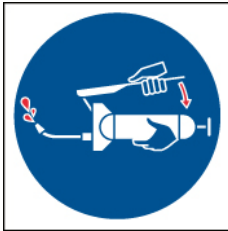


Figure 28. Lubrication.

This decal is used to show the importance of regular lubrication of the trailer.



	
PRODUKT TYP PRODUCT TYPE	
FAHRZEUG TYP VEHICLE TYPE	
TILLVERKNINGSÅR YEAR OF PRODUCTION	
BÅLJÅHR SERIAL NUMBER	
TILLVERKNINGSNUMMER SERIAL NUMBER	
TOTALVÄKT TOTAL WEIGHT	KG
ZUL. GESAMTGEWICHT MAX LOAD INCL. BODY: TIPPING	KG
MAX LAST INKL. FLÄK: KIPPEN MAX GEWICHT INKL. AUFBAU: KIPPEN	KG
MAX LAST INKL. FLÄK: FLÄKAVÄXLING MAX LOAD INCL. BODY: ROLLON/ROLLOF	KG
MAX GEWICHT INKL. AUFBAU: AUF-ABROLLEN	KG
AXEL TRYCK AXLE LOAD	KG
ZUL. RÄKSLAST MAX KROKTRYCK ADMISSIBLE SUPPORTING LOAD	KG
ZUL. STÜTZLAST	
 AS FORS MW • TULE 30 76505 SAUE • ESTONIA	

Figure 29. Data plate

Nut tightening torque

Table 3.

	Thread	Dished discs	Flat discs st 37	Flat discs St52
			Screw Class. 8.8	Screw Class. 10.9
Nuts with spherical collar, conical nuts. Screws with spherical collar.			N.m.	
	M18x1,5	310	330	460
	M20x1,5	-	490	630
	M22x1,5	-	630	740
Flat collar nut with lock washer	M18x1,5	210	270	360
	M20x1,5	-	360	450
	M22x1,5	-	460	550
Nut with flat seat captive washer	M18x1,5		260	360
	M20x1,5		350	500
	M22x1,5		450	650
Screwed connection disc/rim on track adjustable wheels	Thread	Flat discs		
		Screw Class. 8.8		
	M18x1,5	260-330		



Figure 30. Lubricate points.

All of the hydraulic hoses of the trailer are marked with colored labels. See table below for more detailed information. Functions depend of the hydraulic system configuration.

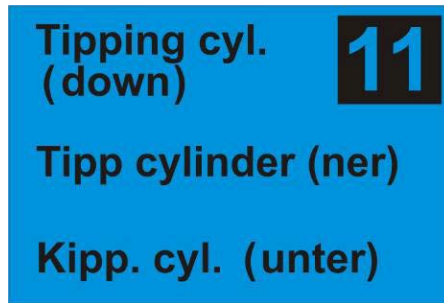


Figure 31. Hydraulic hose label (example tipping cylinder)

Hose label colors:

- Red - oil from pump.
- Blue - oil to tank.
- Yellow - Brake

Marking for hydraulic hoses

Table 4.

No.	Color mark	Function
1	Yellow	Brake
10	Red	Tipping cyl. (up)
11	Blue	Tipping cyl. (down)
12	Red	Tower (front)
13	Blue	Tower (back)
14	Red	Telescope (in)
15	Blue	Telescope (out)
16	Red	Frame-lock for tipping
17	Blue	Frame-lock for hooking
18	Red	Bogie-block (on)
19	Blue	Bogie-block (off)
20	Red	Bogie-lift (on)
21	Blue	Bogie-lift (off)
22	Red	Extra port (a)
23	Blue	Extra port (b)
24	Red	Rear tailgate (a)
25	Blue	Rear tailgate (b)
26	Red	Steering control (p)
27	Blue	Steering control (t)
28	Blue	Straight steering control (t)

2. INSTALLATION

2.1. UNPACKING

Before unpacking, check visually that the trailer is not damaged during transportation. If the trailer is damaged, inform about it to the company that transported the trailer and the manufacturer of the product immediately.

- Usage of the trailer is strictly forbidden if safety devices of the trailer are damaged. For more detailed information about safety devices see 1.5
- When you are unpacking the trailer be careful: do not damage sensitive components, do not change factory settings or damage paint or other surface finishes.
- Lift up the trailer from transportation frame.
- Lower the trailer to the floor.
- Be careful when lifting so that cables, connectors or other components are not damaged for instance between lift work and trailer frame.
- Weight depends of each type of trailer see technical information for data.

2.2. ADJUSTMENTS

Quick couplings are used in the operation of connecting the vehicle in use with the trailer. These couplings serve to disconnect the hoses without their breakage and to prevent loss of oil under accidental strain and pull.

2.3. WITHDRAWAL FROM USE AND STORAGE

- It is not allowed to store the trailer in a cold and/or damp environment for a long period.
- All metal parts are recyclable and should when time comes be handed over to a recycler.



3. FUNCTIONAL DESCRIPTION

3.1. HANDLING IN ROLL ON – ROLL OFF

If your BIGAB is equipped with suspension there is no bogie blocking.

Exchange and tipping must be operated from the operator's seat in the towing vehicle!

Figure 1

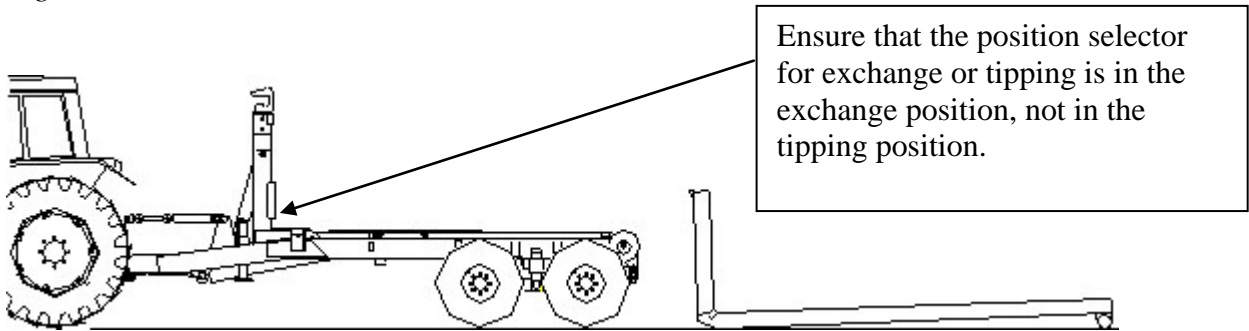
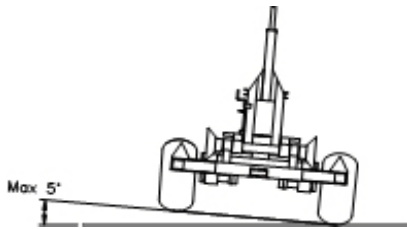


Figure 2



Place the hooklift trailer on a flat surface. The sideways incline may not exceed 5 degrees.

Failure to read this instruction manual can be potentially fatal!

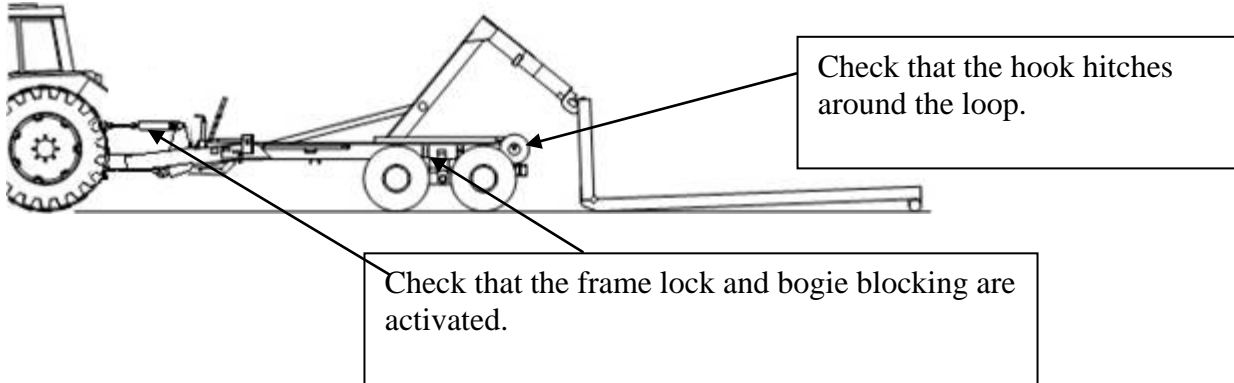
Under no circumstances may you reverse/exert pressure with the towing vehicle in order to facilitate exchange. This entails an immediately risk of the trailer or the towing vehicle being damaged, which can be potentially fatal. The load must be pulled on and the trailer and the towing vehicle must roll in under the freely suspended load.



Figure 3

STOP

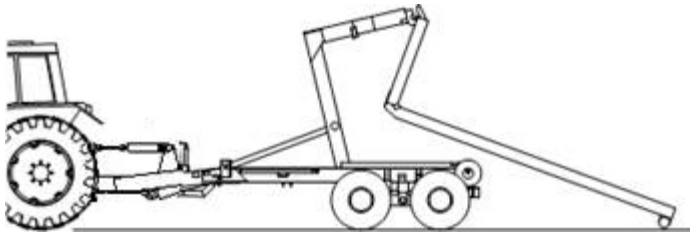
Stop if the tractor lifts off the ground!



On-loading!

- Check that the load carrier is inside the discs. Release the brakes on both the towing vehicle and the trailer to make it easier to roll on the load.

Figure 4



Off-loading!

- Release the brakes on both the towing vehicle and the trailer to make it easier to roll off the load.
- Lock the frame and activate bogie blocking between the towing vehicle and trailer.

3.2. HANDLING IN TIPPING

Note! For the models mentioned in this instruction manual, the maximum container bridge length is 4,6 m during tipping. Ensure that the towing vehicle and the trailer are securely coupled before tipping.

Figure 1

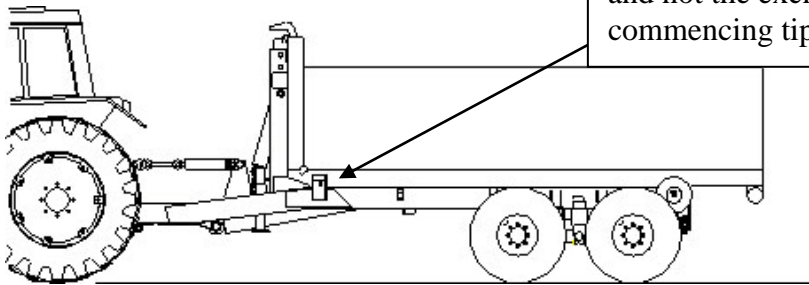
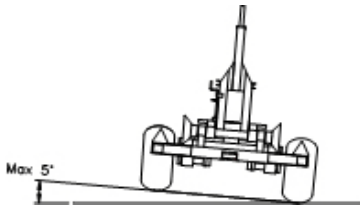


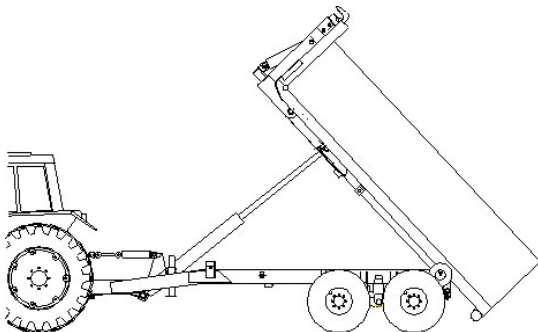
Figure 2



Place the hooklift trailer on a flat surface. The sideways incline may not exceed 5 degrees.

Figure 3

At maximum tipping – drive slowly forwards until the container bridge is empty. Lower the container bridge before continuing to drive. Important! Ensure that the container bridge is locked in the correct position before driving.



IMPORTANT!

When tipping, use the brakes to ensure that the machine does not roll away when the load slides off.

3.3. OPERATION IN DRIVING

It is the responsibility of the user to ensure that a sufficiently powerful and heavy towing vehicle is coupled to the trailer in all situations. The use of a towing vehicle that is too small and insufficiently powerful can entail risks for the user and the surrounding environment, as well as leading to damage to the vehicle and trailer.

Load* (excl. the container's dead weight)

Load	Kg/m ³	Full container 7 m ³	14 m ³	21 m ³	27 m ³
Peas, Wheat, water content 15%	800	5,600 kg	11,200	16,800	21,600
Rye, water content 15%	750	5,250 kg	10,500	15,750	20,250
Barley, water content 15%	680	4,760 kg	9,520	14,280	18,360
Oats, water content 15%	560	3,920 kg	7,840	11,760	15,120
Silage, newly harvested	850	5,950 kg	11,900	17,850	22,950
Macadam	1400	9,800 kg	19,600	29,400	37,800
Gravel	1550	10,850 kg	21,700	32,550	41,850
Clay	1800	12,600 kg	25,200	37,800	48,600
Wood chips (50% moisture content)	350	2,450 kg	4,900	7,350	9,450

*The higher the moisture content of the load, the heavier the load, a fact that the user has to take into consideration. This table is only an approximate estimate of the weights that can occur, and it is the responsibility of the user to ensure that the vehicle's limits and the applicable legislation are not being exceeded. The specified values are not exact values, just examples.

Figure 32. Example of weight with different types of load

For information purposes and for examples of how much different loads can weigh, please refer to the above table. This table should only be viewed as guidance and information. The manufacturer cannot be held responsible for dimensions or volumes specified in the table, and the table may only be viewed as a recommendation.

3.3.1. Load on towing eyelet and coupling

Always adapt your driving to the load, road conditions and your level of experience. Do not exceed the maximum speed specified for the trailer. Ensure that you have the correct pressure on the tow hook when you are driving. Ensure that you do not exceed the intended upwards and downwards pressures on the trailer's towing eyelet and the coupling to the hook device. The given ideal conditions and theoretical calculations indicate the following maximum load values, and it is recommended that the user observes these load values.

Max. load upwards in kg

BIGAB 7 - 10	1700kg
BIGAB 8 – 12	1950 kg
BIGAB 10 – 14	2530kg

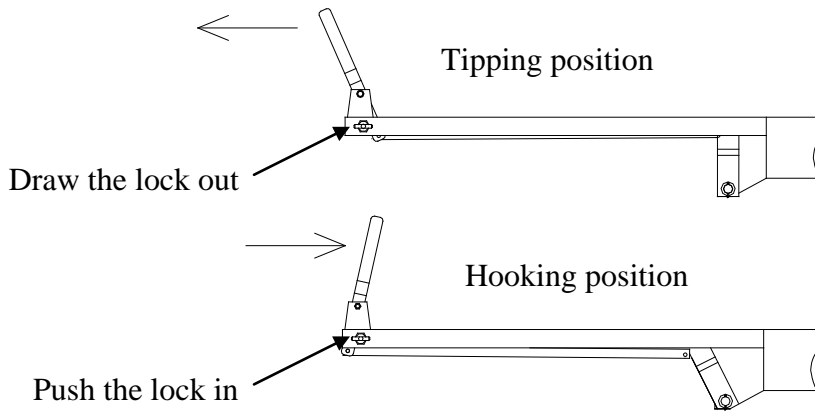
Max. load distributed evenly over the container.

Max. load downwards in kg

BIGAB 7 - 10	1500kg
BIGAB 8 – 12	1800kg
BIGAB 10 - 14	2300 kg

3.4. CHANGING OPERATING FUNCTION

Figure 21 shows the lever for manually changing between the operating functions. The lever is located on the left side of the chassis. This operating function is also available with hydraulic drive.



Note! The bolt needs to be locked within the handles extreme position

Figure 33. Changing operating function



BIGAB
HOOK LIFT SYSTEM

7-10 8-12 10-14

Note!

It is not allowed to change the changing unit unless the frame is in locked position.

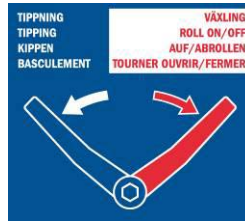
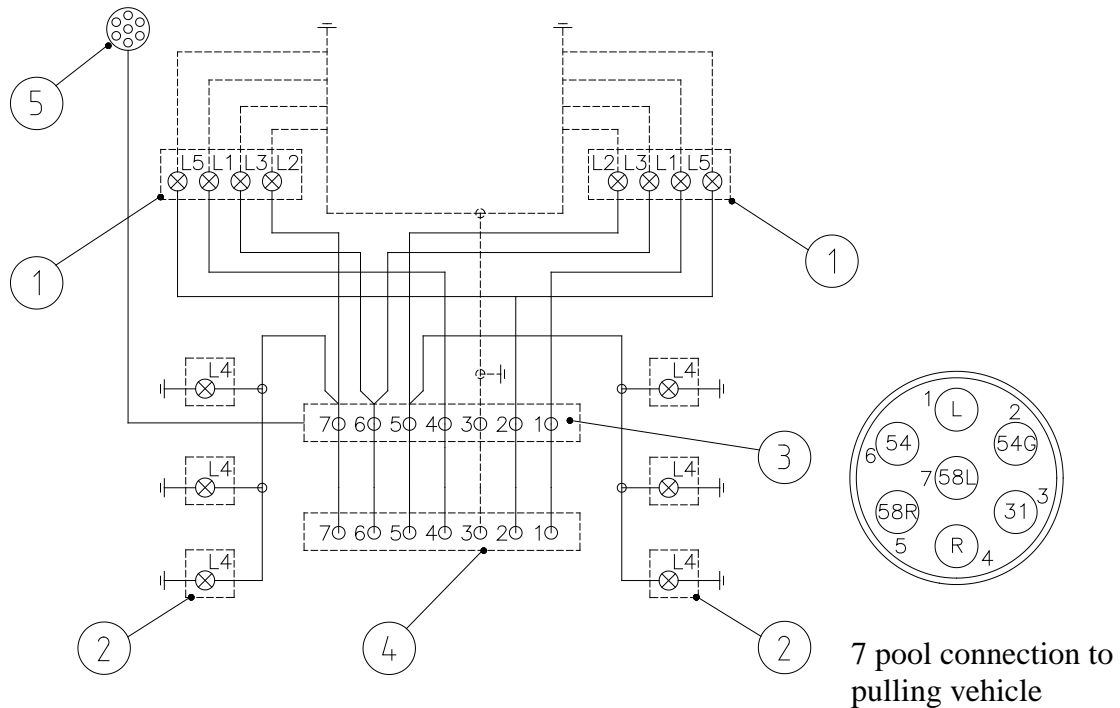


Figure 34. Label

3.5. ELECTRICAL SYSTEM

The trailer is manufactured with 12V electrical system. Configuration depends of options, example reversing light, border light or additional cable connector.



Note! For complete connection schedule see the following page

Figure 35. Electrical diagram

Electrical components.

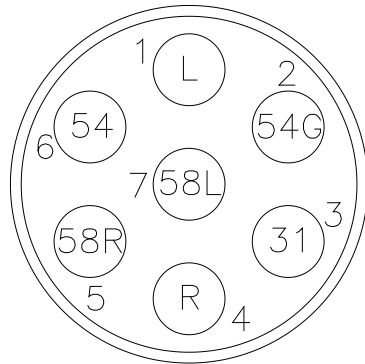
Table 5.

Pos.	Art. No.	Title
1	920765	Rear light
1	920766	Rear light with reversing light - special
2	920770	Border light 111x40 (orange) - special
3	920715	Cable terminal
4	920695	Cable Connector 7 pools (male)
5	920180	Cable Connector 7 pools (female) -special

Connections of the cables and lamps.

Table 6.

Nr.	Color	Function	Lamp
1	Red	Flashing left	12V-21W (L1)
2	Brown	Reversing light	12V-21W (L5)
2	Brown	Spare (without reversing light)	
3	Yellow	Earth	
4	Blue	Flashing right	12V-21W (L1)
5	Grey	Rear right	12V-21W (L2)
5	Brown	Side marking	12V-5W (L4)
6	Black	Brake light	12V-10W (L3)
7	Green	Rear left	12V-21W (L2)
7	Brown	Side marking	12V-5W (L4)



3.6. HYDRAULICAL SYSTEM

The trailer is delivered with filled up and tested hydraulic system. The hydraulic system consists of the functional components showed in the figure below. Technical data and configuration depends on the type of trailer (*see table 1*). The hydraulic system is filled up with hydraulic oil VMGZ or SAE100R16. It is applied as a working fluid of the hydraulic systems for operating in the open air at temperatures ranging from -50°C up to $+60^{\circ}\text{C}$ at a continuous operation service. For hydraulic system maintenance see chapter 5.

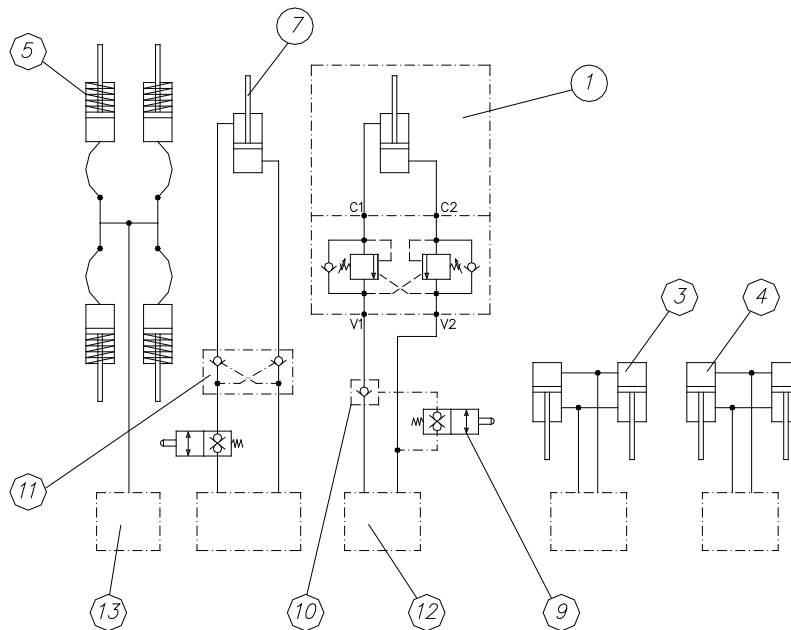


Figure 36. Hydraulic system.

Hydraulic components

Table 7.

Pos.	Art. No.	Title
1	913250 / 913255	Tipping / Rolling cylinder with pilot operated valve
3	313154 / 313155	Bogie block
4	313154 / 313155	Bogie lift
5	913210	Brake cylinder
7	913230	Operation changing cylinder
9	913640	End of stroke valve (Note! only with pos. 7)
10	915200	Pilot operated check valve (Note! only with pos. 7)
11	915201	Pilot operated double check valve (Note! only with pos. 7)
12	-	Main connector of pulling vehicle
13	914570	Brake quick coupling 1/2

4. SAFETY INSTRUCTIONS

IMPORTANT:



READ AND UNDERSTAND THE USER MANUAL CAREFULLY BEFORE USING THE DEVICE. CONSULT THE USER MANUAL TO SOLVE YOUR PROBLEMS. THE DEVICE HAS AN IDENTIFICATION LABEL ON IT. BEFORE USING THE TRAILER, ENSURE THAT FACTORY SETTINGS HAVE NOT CHANGED AND THAT NO PARTS HAVE LOOSEN DURING TRANSPORTATION. MAKE SURE THAT ALL WARNING SIGNS AS WELL AS LABELS AND TAPES ARE IN THE APPROPRIATE PLACES.

THE TOWING EYELET MUST BE CONTROLLED FOR DEFAULTS EVERY TIME BEFORE THE TRAILER IS USED. THE TOWING EYELET NEEDS TO BE CHANGED AT LEAST ONCE A YEAR. IT IS UP TO THE USER OF THE TRAILER TO SEE IT THAT THIS IS DONE.

4.1. GENERAL

Before you start to work:

- Carefully examine the trailer.
- Check that all joints are connected tightly.
- Check the towing eyelet for defaults.
- Check the towing eyelet and the coupling device.
- Control the lights.
- Check the lights.
- Check that the brakes are functioning.
- Check that hydraulic hoses and couplings are intact and free from cracks.
- Check that all hydraulic functions are working.
- Remember that it is not allowed to use this unit for functions not confirmed by producer.
- Be aware that a long container needs enough working space and turning area.
- Be sure that nobody is in the working area of the trailer.
- Respect the safety distance.
- Never stand by the drawbar when connecting and disconnecting or when functions between the towing vehicle and trailer are activated.
- Do not exceed maximum loading values.
- Always engage the base machines parking brakes before loading. If necessary put some obstacles in front of wheels.
- Study safety instruction.

During maintenance:

- Be sure that the trailer is standing on a flat surface.
- Be sure that the trailer can't move.
- When lubrication or servicing the trailer, turn off the vehicle engine.
- Be sure that the trailer can't slip when using support leg, jack or similar equipment.
- Always use the security post in tipping position when servicing. The safety support must always be used when carrying out service work in the tipped position. There must not be any load on the trailer when carrying out service work in the tipped position. See figure below.
- Never attempt to do maintenance work on the hydraulic system before you are sure there is no pressure.
- Do not tighten or repair leaking hydraulic couplings while the system is pressurized.
- Never attempt to localize a leakage from hoses or connections by feeling with hand. The high-pressure oil jet can penetrate skin and cause serious burns and damages. High-pressure oil is also highly flammable.
- Avoid getting oil into eyes. Use safety goggles and gloves. If oil has got into eyes flush them with cool water and immediately contact a doctor.



Note!

It is strictly forbidden to lean under the container body without using the security post!



Figure 37. Safety



BIGAB
HOOK LIFT SYSTEM

7-10 8-12 10-14

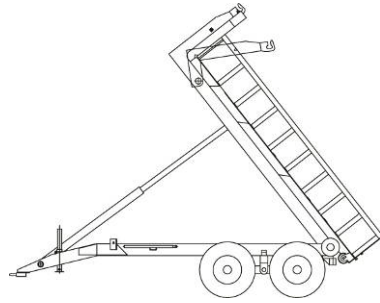


Figure 38 . Raised container bridge



Never drive with the container raised under bridges etc.

Driving:

- Don't forget to lift the support leg up before driving.
- Do not exceed maximum travel speed.
- Never make sharp turns at great travel speed.
- Long container needs enough working space and turning area.
- Do not exceed maximum loading values
- Be sure that the container is firmly fixed before driving.
- Recommended load placement - symmetrical.
- Adjust your driving to the current load, road conditions and your experience.

4.2. WORKING AT EXTREME CONDITIONS

Recommended working temperature range for a Bigab trailer is -30°C up to $+40^{\circ}\text{C}$.

Note that working at low temperatures accelerates hydraulic gaskets wearing and increases hydraulic hoses exposure to damages and steel constructions exposure to brittle fracture. When working at lower temperature than recommended, lift lighter loads than usual.

Before starting to work in cold conditions let the oil circulate freely through the system a few minutes. Slowly work every action through several times so that gaskets come pliable before they receive full pressure.

At exceptionally warm conditions beware of hydraulic oils excessive heating. Too high oil temperature (higher $+80^{\circ}\text{C}$) degrades oil and damages gaskets.



BIGAB
HOOK LIFT SYSTEM

7-10 8-12 10-14

4.3. ACTING IN DANGEROUS SITUATION

If the trailer comes into contact with high voltage electric wires comply with the following instructions:

IF YOU ARE OUTSIDE THE MACHINE

Do not attempt to get into the machine. Keep everybody out from the machines vicinity. Do not touch any part of machine.

IF YOU ARE INSIDE THE MACHINE

Get out of it by **JUMPING**. Avoid touching any conducting parts. Do not make yourself a wire through which electricity may flow. Get away from the machine by **JUMPING** so that both feet do not touch the ground at the same time. Electric field at ground can cause fatal voltage between legs. At about 20 meters away you should be safe but this is of course a questions of circumstances.

5. MAINTENANCE / SPARE PARTS

5.1. MAINTENANCE SCHEDULE

All kinds of maintenance work are subdivided into two groups: operating (preventive) and compulsory (scheduled).

The need for operating maintenance is determined based on the results of checking.

General

- Maintenance works must be carried out regularly to ensure safe and malfunction-free operations.
- Maintenance works does not require any special tools. The user can perform most of the operations.
- Use correct tools.
- Attempt to localize the defects as clearly as possible; you should have to avoid opening the system unnecessarily.
- Keep disassembled parts and repair area protected from dirt.
- Keep spare parts in their packages until needed for installation.
- Valve adjustments and repairs are recommended to be handled by service personnel.

Daily inspections:

- Examine visually the loader. Note defects and failures that might affect safety. Repair possible defects and failures. Look carefully at the position of the towing eyelet.
- Check so there is no leakages on hydraulic system, or damaged hoses.
- Work through every function to its extreme position.
- Check the oil level.

Weekly maintenance:

- Clean the trailer regularly with sponge and soap.
- When cleaning never use hot water under high pressure, it will remove the grease from bearings.
- Check the operation of the device.
- Check hydraulic pressure.
- Check the brake condition.
- Control wheel nut tightness. When tightening the locking force must be 40-45 kpm.
- Check the lights, reflectors and bulbs.

Monthly maintenance:

- Check the air pressure in tires.
- Check if there is enough lubricant on glide surfaces.
- Clean and lubricate hydraulic cylinders.
- Check hydraulic hoses for damages.

Recommended lubricants:

BRAND	TYPE
BP	Energrease LS-EP2, L2M
ESSO	Beacon EP2, Multipurpose GR Moly
MOBIL	Mobilux EP2, Mobil Grease MP Special
SHELL	Alvania EP Grease 2
UNION/TEXACO	Marfak Multi-Purpose 2, Molytex Grease 2

5.2. MAINTENANCE OPERATIONS



IMPORTANT:

BEFORE MAINTENANCE AND SERVICE OPERATIONS READ AND UNDERSTAND THE SAFETY INSTRUCTION.

During maintenance:

- Be sure that the trailer is standing on a flat surface.
- Be sure that the trailer can't move.
- When lubrication or servicing the trailer, turn off the vehicle engine.
- Be sure that the trailer can't slip when you using support leg, jack or similar equipment.
- Always use the security post in tipping position when servicing.
- Never attempt to do maintenance works on the hydraulic system before you are sure there is no pressure.
- Do not tighten or repair leaking hydraulic couplings while the system is pressurized.
- Never attempt to localize a leakage from hoses or connections by feeling with hand. The high-pressure oil jet can penetrate skin and cause serious burns and damages. High-pressure oil is also highly flammable.
- Avoid getting oil into eyes. Use safety goggles and gloves. If oil has got into eyes flush them with cool water, after contact the doctor.

5.2.1. Surface cleaning

Remove accumulated dust and dirt. Painted outer surfaces should be cleaned regularly with sponge and soap. When cleaning never use hot water under high pressure, it will remove the grease from bearings.

5.2.2. Maintenance of the hydraulic units

Hydraulic system is shown in chapter 3.5.

- Clean and lubricate piston rods of hydraulic cylinders.
- Check the hydraulic valves:
Check visually hydraulic valves. In case of leaking replace the damaged valve.
- Check hydraulic hoses:
Check visually hydraulic hoses and union pipe connections. Replace a hose in case of leaking or if there are ruptures or slashes on it.
- Check the level of oil, add and replace oil.
- Check the operation of the device.

When replacing hydraulic components such as hoses, gaskets etc, make sure they correspond with original parts. To avoid malfunctions and ensure safe operation use original spare parts.

Changing the seals

Change all cylinder seals at the same time. The piston cannot be split. The seals must be slipped over the piston edge. Be careful not to break the seals when fitting them in place.

- After removing the old seals clean the grooves carefully before fitting the new seals into place.
- Lubricate the new seals with hydraulic oil.
- Open the pistons lock nut.
- Screw the piston off.
- Withdraw the guide piece from the rod.
- Change the guide piece seals; make sure that the piston rod seal is the right way round, i.e. the lip against the pressure.

NB: Never operate the hydraulic system with the level of oil dropping below lower mark.

5.2.3. Maintenance of the pneumatic units

- Clean and lubricate piston rods of pneumatic cylinders.
- Emptying the water collector:
Condensed water is removed from the air tank located in the side of trailer.
- Check the pneumatic valves:
Check the pneumatic valves by listening to the working sound. In case of leaking replace the damaged valve.
- Check pneumatic hoses:
Check visually pneumatic hoses and union pipe connections. Replace a hose if there are ruptures or slashes on it.
- Check the operation of the device.

5.2.4. Maintenance of the electrical components

The trailer is manufactured with 12V electrical system. Electrical system is shown in chapter 3.4.

The wires to the electrical equipment are of different colors, which facilitate the location of the wire leads connecting individual items of the electrical equipment. Refer to the electrical diagram (figure 3.4) to ensure a correct subsequent reconnection of the electrical units and also when checking the operation of the equipments and individual electric circuits.

- Clean and check the lights:
In case of fault replace the lamp. If the lamp keeps on braking repeatedly, find out the case of the matter.
- Check electrical connectors:
Clean them of dirt and dust.
- Check wires insulation:
Check wire insulation, wire joints and protection of insulation against rubbing during jolting and contacting the trailer parts. Protect the wires from oil and fuel, which ruin insulation. Wipe dirty wires.

NB: Join and disjoin plug connectors only with dead circuits.

5.2.5. Maintenance of the brake system

The trailer is manufactured with a hydraulically functioned brake system. Air brake system with negative or positive action is optional.

Control the brakes regularly. Test the brakes at least once per week while trailer is working.

See to it that no lubricant penetrates into the brakes. Any lubricant, which has penetrated the brake, causes greasing of the disks, thereby reducing friction between their working surfaces. A poor operation of the brakes is the result of such happening. In such a case dismantle the brake, eliminate the oil leakage, wash the greasy disks with gasoline and let them dry out.

Control always the brake control linkage after the drum being dismantled, adjust if needed.

For adjusting the brakes you need to lift up the bogie-frame from the ground and adjust the brake levers. You do this by spinning the wheel while adjusting. The brakes are correctly adjusted when they spin freely without any scraping noises from the wheel. After all kinds of adjusting in regards to the brakes, always carry out a practical brake test before driving away.

If the brakes seems to work grainy, found the brakes, pull the trailer maintaining low speed for a couple of hundred meters, try again through braking the vehicle while driving in a normal speed. Keep on reiterate until the brakes functional normally. If necessary contact our service department!

BIGAB models 7 – 10, 8 – 12 and 10 – 14 – the brake show distance to the drum needs to be adjusted through loosening and by doing so adjusting the brake control linkage.

BIGAB models 12 – 15, 15 – 19 and 20 – 24 – the brake show distance to the drum on the brake cylinder needs to be adjusted through loosening or vice versa tightening the adaptable screw on the brake.

5.2.6. Maintenance of wheels

The maintenance of the wheels before proceeding to work consists in watching over the condition of the threaded joints and timely tightening there of and in observance of the rules for use and maintenance of tires.

- Check the threaded joints.
- Check the pressure of air in the tires.

Wheels pressure

Table 8.

Trailer type	Standard wheel type	Alternative wheel type	Air pressure (bar)	Speed (km/h)
7-10	400/60-15,5 *	400/60-15,5 Traction 6B/-15	3,6*	40
8-12	400/60-15,5 *	400/60-15,5 Traction 6B/-15	3,6*	40
10-14	500/50R-17*		4,6*	40
		505/50R-17	4	40
		445/45R-19.5	7,5	40

* The air pressure might be different between different wheel manufacturers. For exact air pressure we recommend taking contact with the wheel manufacturer.

5.2.7. Maintenance undercarriage

Every day

It is necessary to visually check the nuts on the bogie side each time the customer uses the trailer. If the axel for the bogie side is at all moving (see picture 1) the trailer is in **danger**. Stop at once and tighten the bolts showed in picture 2.

Weekly

Once per week (or nor later then 20 hours) it is needed to lubricate the grease nipples shown in picture 3. You need to lean under the trailer to be able to grease the glide bearings. This will be easier to do if the trailer is without load.



Axel for bogie side



Bolts on either side of the bogie



Grease nipples

5.2.8. Lubrication

Recommended lubrication cycle is once per week or after 20 working hours. Lubricate points equipped with grease nipples by using a grease gun. See chapter 5.1 for recommended lubricants.

- Ensure regularity of lubrication by following the lubricating schedule.
- Keep flammable material away from heat, sparks and open fire.
- Do not let oil run into the nature. Oil spilled into ground pollutes environment.

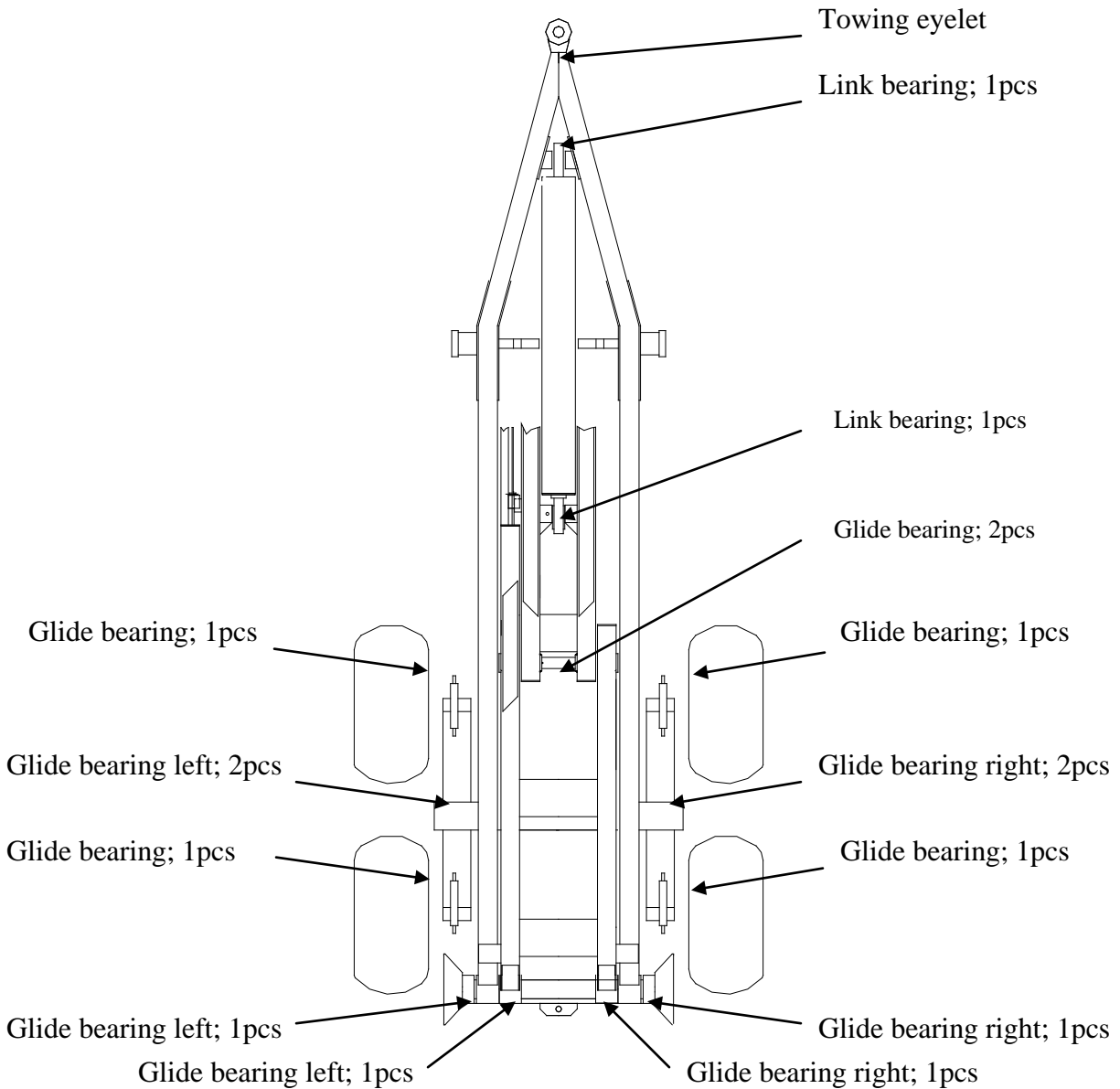


Figure 26. Lubrication points

5.3. SPARE PARTS

5.3.1. Back and Hook frames

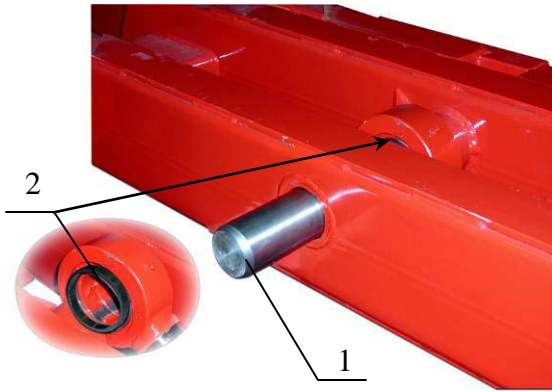


Figure 38. Cylinder coupling



Figure 39. Back and hook frame coupling

Back and rolling frame spare parts

Table 9.

Pos.	Art. No.	Description	Note
1	37203110	Axle	For 8-12; 10-14
1	37200130	Axle	For 7-10
2	37203115	Distance ring	For 8-12; 10-14
2	37200115	Distance ring	For 7-10
3	37200140	Axle	For 7-10
3	37203140	Axle	For 8-12; 10-14

5.3.2. Bogie

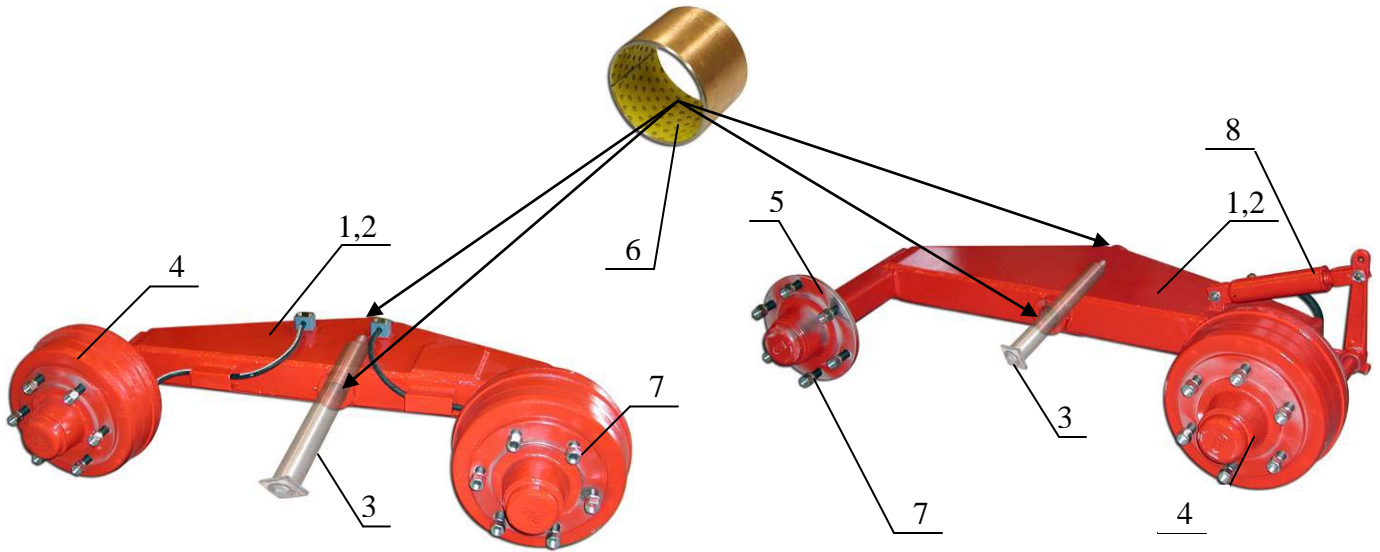


Figure 40. Bogie for 7-10 ver. 1
4-wheel brake system (brakes built – in)

Figure 41. Bogie for 7-10 ver. 2
2-wheel brake system (outside brakes)

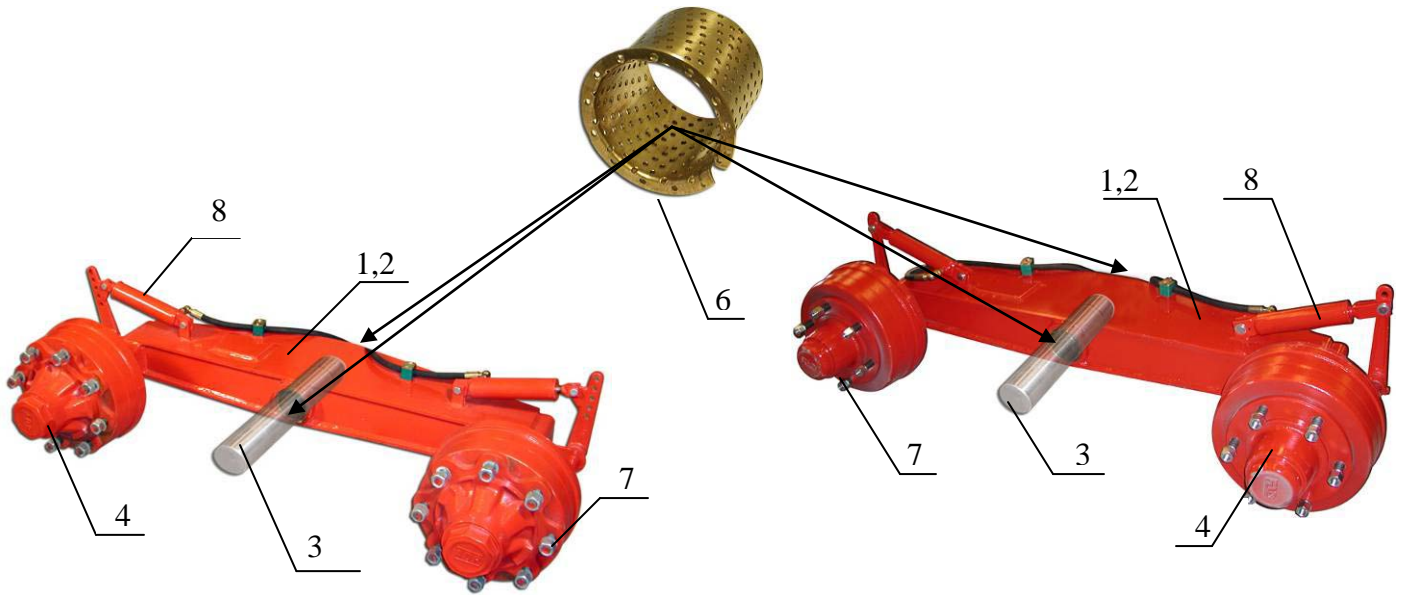


Figure 42. Bogie for 10-14

Figure 43. Bogie for 8-12

(For schedule see the following page.)



Bogie spare parts

Table 10.

Pos.	Art. No.	Description	Note
1	37200030	Bogie comp. L	For 7-10
2	37200031	Bogie comp. R	For 7-10
1	37201030	Bogie comp. L	For 8-12
2	37201031	Bogie comp. R	For 8-12
1	37203030	Bogie comp. L	For 10-14
2	37203031	Bogie comp. R	For 10-14
3	37012011	Pin (Bogie axle)	For 7-10
3	37203040	Bogie axle	For 8-12; 10-14
4	916110	Stub axle	For 7-10 ver.2
4	916109	Stub axle	For 7-10 ver.1
4	916130	Stub axle	For 8-12
4	916135	Stub axle	For 10-14
5	916115	Stub axle	For 7-10 ver.2
6	909150	Slide bearings Ø50	For 7-10
6	909125	Slide bearings Ø80	For 8-12; 10-14
7	916476	Ring nut M18	For 7-10
7	916478	Ring nut M20	For 8-12; 10-14
8	913210	Brake cylinder	For all

5.3.3. Bogie block

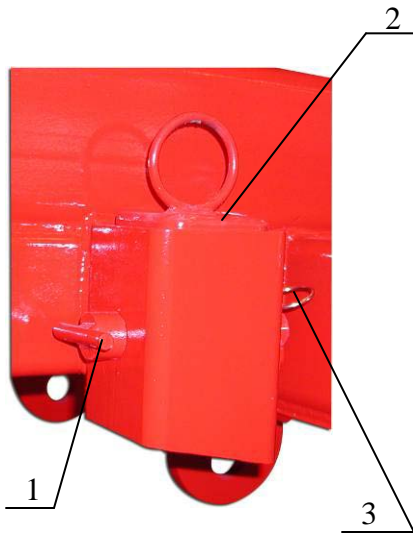


Figure 44. Bogie block 7 - 10

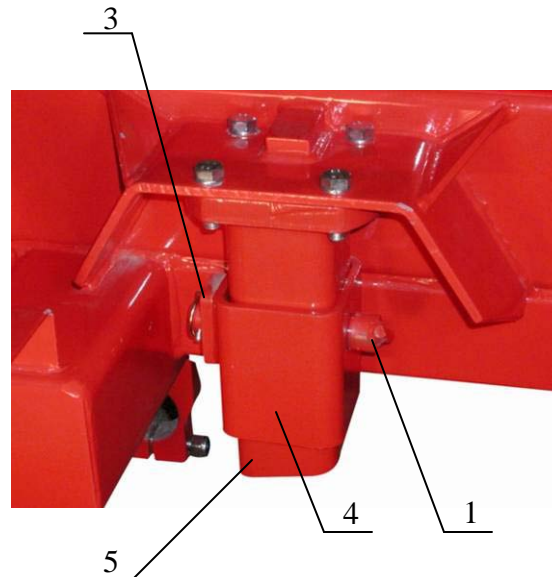


Figure 45. Bogie block 8 – 12, 10 - 14

Bogie block spare parts

Table 11.

Pos.	Art. No.	Description	Note
1	37203083	Pin	
5	37203082	Tube	For 8-12;10-14
2	37200082	Tube	For 7-10
3	920230	Pin	
4	37203081	Outer tube comp.	

5.3.4. Steering rollers

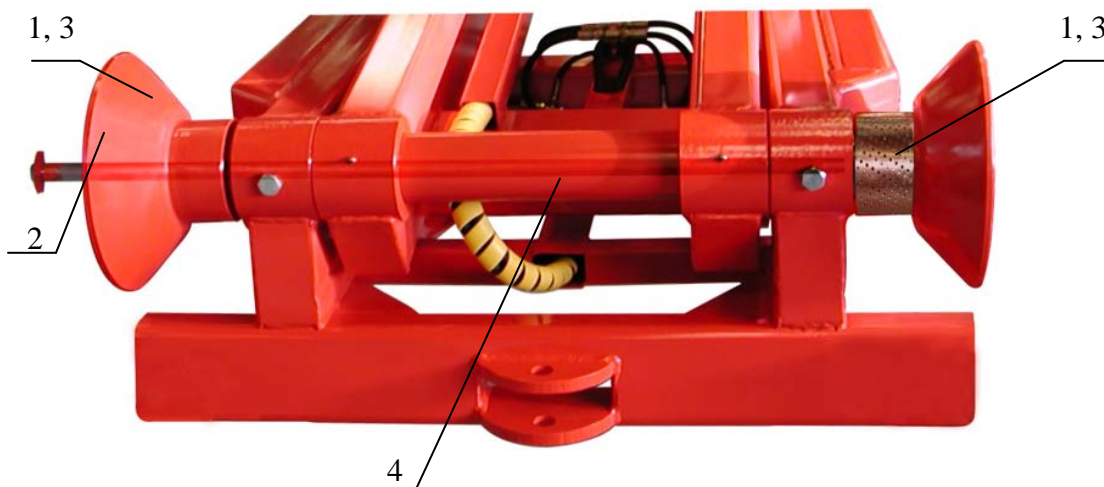


Figure 46. Steering roller spare parts

(For schedule see the following page.)

Rollers spare parts

Table 12.

Pos.	Art. No.	Description	Note
1	320340/320341	Roller comp. (left, right)	
2	37203045	Axle	
3	909115	Slide bearings Ø100	
4	320360	Tipper axle	

5.3.5. Changing operating unit

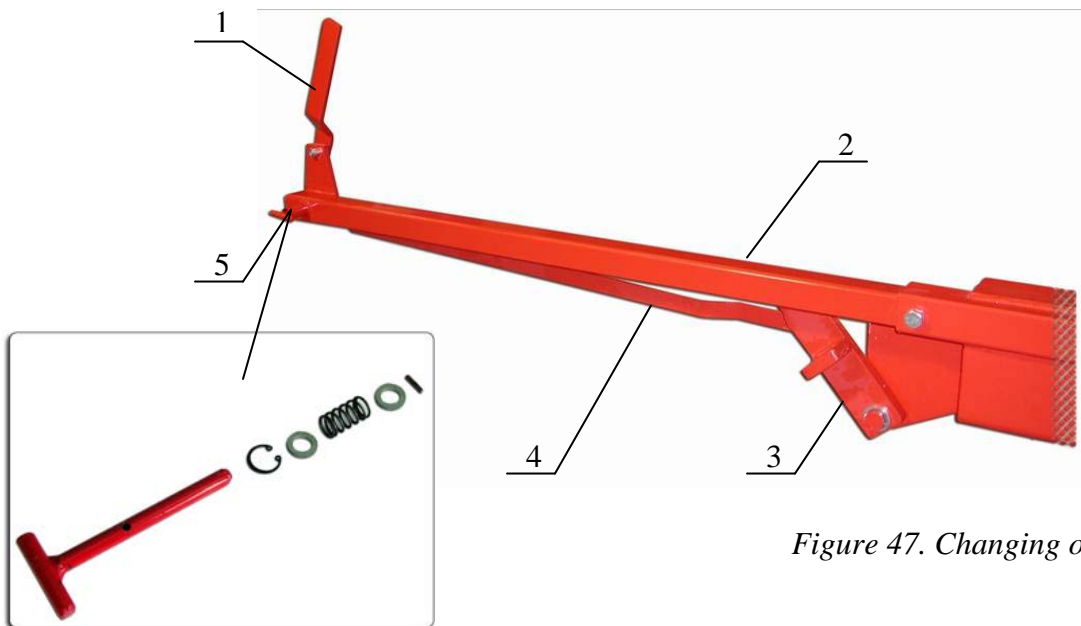


Figure 47. Changing operation unit

Changing operating unit spare parts

Table 13.

Pos.	Art. No.	Description	Note
	37200005	Changing unit comp.	For 7-10
	37203005	Changing unit comp.	For 8-12; 10-14
1	37203060	Lever	
2	37203065	Console	
3	37200070	Slider plate	For 7-10
3	37203070	Slider plate	For 8-12; 10-14
4	37203075	Coupling rod	
5	37203080	Stopper handle kit	

5.3.6. Frame lock

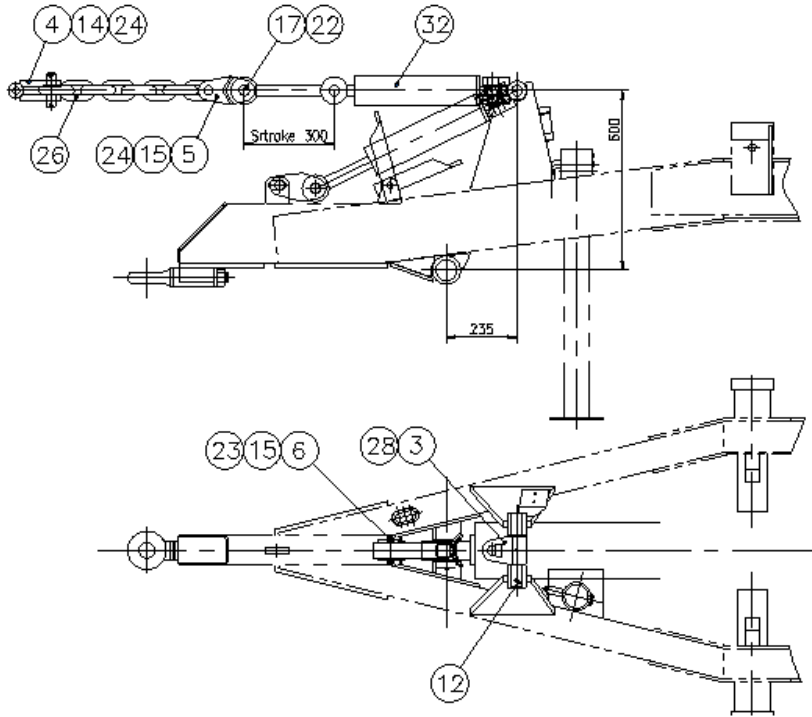


Figure 48. Frame lock

Table 14.

Pos.	Art. No.	Title
	391014/1215	Hydr. frame lock system
3	37121520	Link
4	37121525	Link
5	37121530	Link
6	37121535	Support
12	37121522	Axle
14	37121527	Pin
15	37121532	Pin
17	37024378	Pin
22	908110	Split 4x45 DIN 94
23	911250	Stopper ring 20 DIN 471
24	920230	Locking pin 6x40 DIN 11023
26	920223	Chain (8 link)
32	313134	Cylinder 90x40x300



5.3.7. Hydraulic components

For hydraulic diagram see chapter 3.5

Hydraulic components spare parts

Table 14.

Pos.	Art. No.	Description	Note
1	913250	Tipping / Rolling cylinder 140/70-1570 with pilot operated valve	For 7-10
	37913250	<u>Sealing kit for hydraulic cyl. 140/70</u>	For 7-10
	37913251	<u>Front bush for hydraulic cyl. 140/70</u>	For 7-10
	37913253	<u>Piston for hydraulic cyl. 140/70</u>	For 7-10
1	913255	Tipping / Rolling cylinder 160/80-1570 with pilot operated valve	For 8-12; 10-14
	37913255	<u>Sealing kit for hydraulic cyl. 160/80</u>	For 8-12; 10-14
	37913256	<u>Front bush for hydraulic cyl. 160/80</u>	For 8-12; 10-14
	37913258	<u>Piston for hydraulic cyl. 160/80</u>	For 8-12; 10-14
3,4	313155	Bogie block / lift 100/60-125	For 8-12; 10-14
	37313160	<u>Sealing kit for hydraulic cyl. 100/60</u>	For 8-12; 10-14
	37313162	<u>Front bush for hydraulic cyl. 100/60</u>	For 8-12; 10-14
	37313163	<u>Piston for hydraulic cyl. 100/60</u>	For 8-12; 10-14
5	913210	Brake cylinder 40/20-60	For All
	37913210	<u>Sealing kit for hydraulic cyl. 40/20</u>	For All
	37913212	<u>Front bush for hydraulic cyl. 40/20</u>	For All
	37913213	<u>Piston for hydraulic cyl. 40/20</u>	For All
7	913230	Operation changing cylinder 50/32-70	For 8-12; 10-14
	37913230	<u>Sealing kit for hydraulic cyl. 50/32</u>	For 8-12; 10-14
	37913232	<u>Front bush for hydraulic cyl. 50/32</u>	For 8-12; 10-14
	37913233	<u>Piston for hydraulic cyl. 50/32</u>	For 8-12; 10-14
9	913640	End of stroke valve	For 8-12; 10-14
10	915200	Pilot operated check valve	For 8-12; 10-14
11	915201	Pilot operated double check valve	For 8-12; 10-14
13	914570	Brake quick coupling 1/2"	

5.3.8. Cylinder description

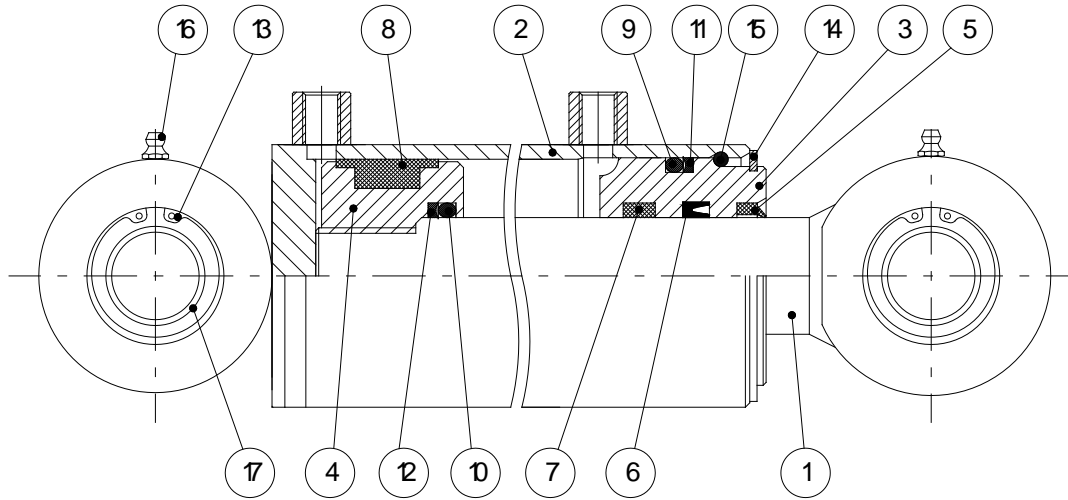


Figure 49. Cylinder description

Table 15.

Pos.	Description	Note
1	Piston rod	Spec. order
2	Tube assy	Spec. order
3	Front bush	
4	Piston	
5	Scrape ring	Included in sealing kit
6	Sealing	Included in sealing kit
7	Bush	Included in sealing kit
8	Sealing	Included in sealing kit
9	O-ring	Included in sealing kit
10	O-ring	Included in sealing kit
11	Sealing	Included in sealing kit
12	Sealing	Included in sealing kit
13	Locking ring	
14	Locking ring	Included in sealing kit
15	Locking ring	Included in sealing kit
16	Grease nipple	
17	Link bearing	

5.3.9. Electrical system

For electrical scheme see chapter 3.4 Pos. 5-8 concerning spare parts table is not shown in electrical scheme.



Figure 50. Rear lamp

Electrical spare parts.

Table 16.

Pos.	Art. No.	Description	Note
1	920765	Rear lamp	
1	920766	Rear light with reversing light - special	
2	920770	Border light 111x40 (orange) - special	
3	920715	Cable terminal	
4	920695	Cable Connector 7 pools (male)	
5	920180	Cable Connector 7 pools (female) -special	
6	920723	Lamp 12V, 5W	
7	920745	Lamp 12V, 21W	
8	920725	Lamp 12V, 10W	

5.3.10. Other parts



Figure 51. Other spare parts

Other spare parts

Table 17.

Pos.	Art. No.	Description	Note
1	930105	Grease nipple	
2	920110	Towing eyelet 7-10	
2	920111	Towing eyelet 8-12 10-14	
3	37221002	Hook	
4	37203068	Support leg	
5	37203067	Pin	
6	37203085	Security post	
7	920160	Reflector 94*44 (orange)	
8	920150	LBF board	
9	920155	Reflector 3-angle (red)	

6. TROUBLESHOOTING

These troubleshooting instructions are provided to help you to determine the cause for a malfunction.

Electrical equipment troubles

Fault symptoms	Reason and action
Lights fault	Lamp born out. Replace lamp.
	Check and clean electrical connectors.
Wire broken.	Check and repair wire.

Hydraulic equipment troubles

Fault symptoms	Reason and action
Too slow lift of implement or cylinders will not return from working position to neutral.	Valve stuck. Clean valve parts. Valve should move freely without seizure.
Ingress air into hydraulic system.	Locate leaky point and eliminate defect. Check oil level.
Excessive leakage of oil in pump.	Replace pump
Low oil pressure.	Adjust oil pressure.
Hydraulic cylinder piston packing out of order.	Replace packing.
Hydraulic system noise	Air entrapped into system. Locate air suction and eliminate defect.
Distributor safety valve maladjusted.	Adjust valve.
Oil leaking	Replace ruptured hose or tighten hose connection.
Oil leaks through final drive labyrinth seals.	Rubber packing between track sprockets and hub or labyrinth seals worn. Replace rubber rings.

Brake system troubles

Fault symptoms	Reason and action
Poor operation of brakes	Greasy or worn-out drive disk linings. Wash linings with gasoline or replace from spares
Maladjustment of brake control linkage.	Adjust brake control linkage.